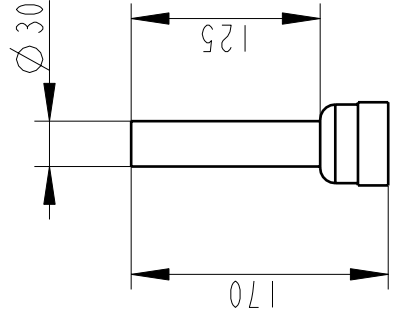
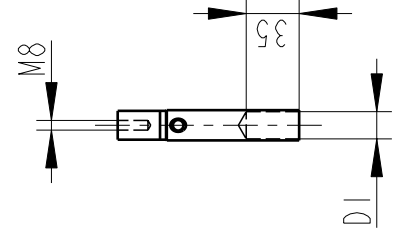


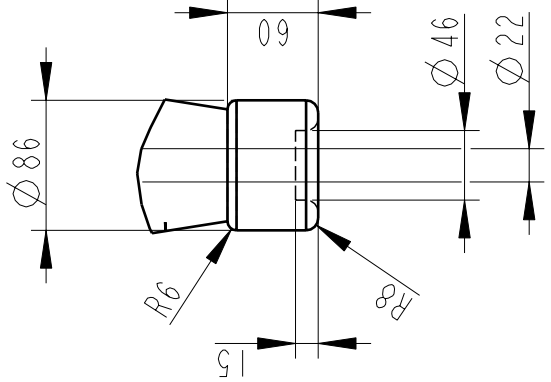
**OUTER TERMINAL**



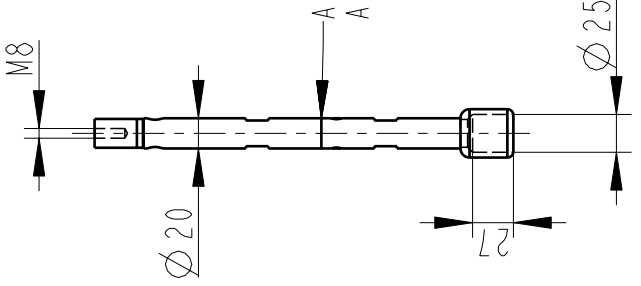
**INNER TERMINAL FOR STRANDED CABLE**



**END SHIELD**



**SOLID ROD CONNECTOR**



The solid rod can be divided either:  
 Alt.1: 20mm below the bushing flange or  
 Alt.2: 20mm below the upper end of the bottom porcelain

**Bushing Data:**

Rated Voltage	100	kV
Phase to Ground Voltage	72.5	kV
Dry Lightning Impulse 1,2/50µs	380	kV
Wet power frequency AC	150	kV
Routine test Imin dry 50Hz	162	kV
Rated Current	800	A
Creepage Distance	2210±70	mm
Creepage Distance Protected	870	mm
Mass	37	kg

**Ordering Data:**

**BUSHING**  
 LF123039-K  
 -L  
**COLOUR AIR INSULATOR**  
 BROWN  
 LIGHT GREY

**OUTER TERMINAL**  
 LF 170 002-A Cu, Ø30, L=125  
 LF 170 001-A Al, Ø30, L=125  
 OTHER TYPES ON REQUEST

**INNER TERMINAL FOR STRANDED CABLE**

**For brazing**  
 LF 170 011-S Conductor area up to 150mm<sup>2</sup> Ø18  
 LF 170 011-U Undrilled with pilot hole Ø5  
**For crimping or brazing**  
 LF 170 010-M Conductor area 50mm<sup>2</sup> Ø11  
 LF 170 010-N Conductor area 70mm<sup>2</sup> Ø13  
 LF 170 010-L Conductor area 95mm<sup>2</sup> Ø15

**SOLID ROD CONNECTOR**

LF 170 019 -R for Alt.1  
 LF 170 019 -N for Alt.2

**ABB Components** Luvia, Sweden

No.	Urdu	kV	A	50/60 Hz
LI	SI	AC	mm	V
M	kg	L	mm	V
C1	pF	Tan δ		
C2	pF	Tan δ		

Based on	Reg. No.
Prepared	Responsible department
Lövnord	COM/BK
Approved	Take over department
Johansson	Database
Design engineering review	
Hedlund	

Title	Language
GOB 380-800-0.3	82
WITHOUT OIL LEVEL GAUGE	Page
SHORT END SHIELD	I(1)

Document No.	2751369-129
--------------	-------------

We reserve all rights in this document and in the information contained therein. Reproduction, use or disclosure to third parties without express authority is strictly forbidden.  
 ©ABB